

Electric & Hydronic Models  
Installation & Operating Instructions



mr.steam<sup>®</sup>towelwarmers

Model \_\_\_\_\_

Serial # \_\_\_\_\_


## Table of Contents


---

<b>Electric Models</b> .....	1
General Information & Specifications .....	2
Wall Preparation .....	3
Mounting Dimensions .....	4
Installation	
Models 542, 552, 554, 562, 572, 634, .....	5
Model 842 .....	6
Models 500 & 510 .....	7
Model 556 & 856 .....	8
Electrical Connections .....	9-10
Optional Programmable Timer .....	11
<hr/>	
<b>Hydronic Models</b> .....	12
General Information & Pre-Installation .....	13
Wall & Plumbing Preparation .....	14
Installation, Operation & Maintenance .....	15

---

**IMPORTANT NOTE:** As you follow these instructions, you will notice warning and caution symbols. This blocked information is important for the safe and efficient installation and operation of this Towel Warmer. These are types of potential hazards that may occur during this installation and operation:

 **WARNING** states a hazard may cause serious injury or death if precautions are not followed.

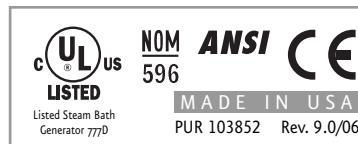
 **CAUTION** signals a situation where minor injury or product damage may occur if you do not follow instructions.

**IMPORTANT NOTE:**  
This highlights information that is especially relevant to a problem-free installation.

All information in these instructions is based on the latest product information available at the time of publication. Sussman-Automatic Corporation reserves the right to make changes at any time without notice.

---

Sussman-Automatic Corporation® info@mrsteam.com www.mrsteam.com	43-20 34th Street Long Island City, NY 11101 Tel: 1-800-76 STEAM Fax: (718) 472-3256 Western	9410 S. La Cienega Blvd. Inglewood CA 90301 1-800 -72 STEAM Fax: (310) 216-2944
---	---	--

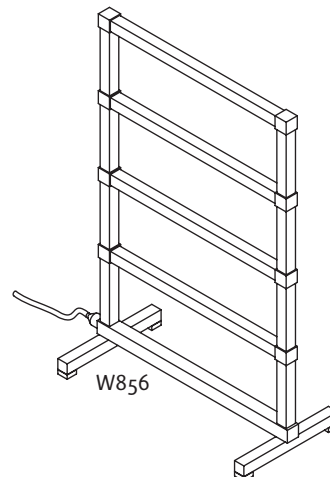
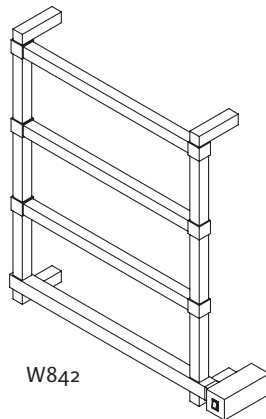
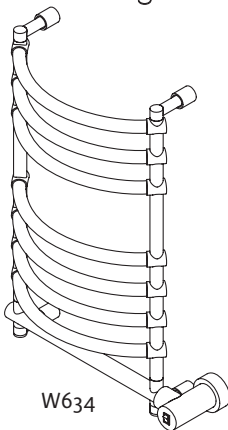
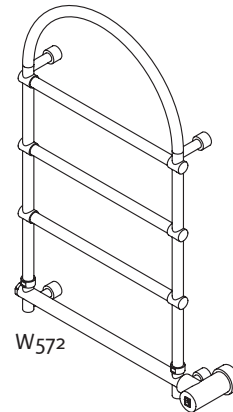
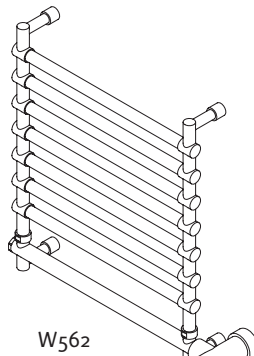
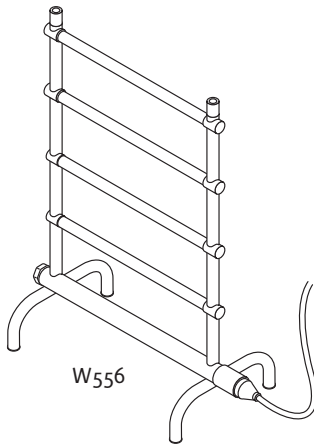
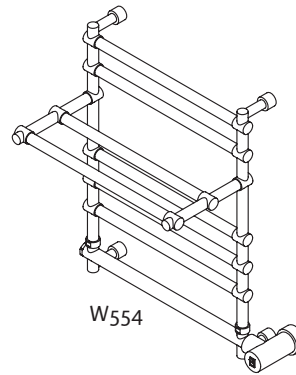
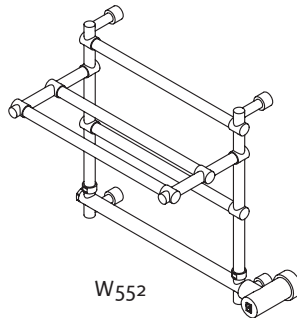
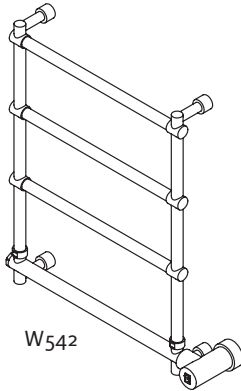
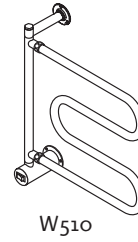
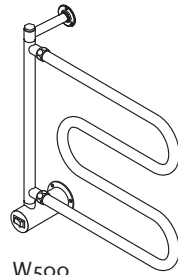


# Electric Models

Models W500, W510, W542, W552, W554,  
W556, W562, W572, W634, W842, W856

Model \_\_\_\_\_

Serial # \_\_\_\_\_



mr.steam® towel warmers

Installation and Operating Instructions

HOMEOWNER:

THANK YOU for selecting Mr.Steam Towel Warmer, the perfect addition to bathrooms, family spas, and exercise rooms within your home. Our products have long been a standard for quality and comfort, and we are sure that you will experience continued enjoyment from the Towel Warmer you have purchased by following these simple instructions.

**! WARNING** TOWEL WARMERS ARE HOT! The Towel Warmer is an electrical heating appliance, intended only for indoor residential applications and, as such, should be installed and used with certain precautions for your safety.

1. INSTALLATION PROCEDURES FOR PERMANENTLY-WIRED WALL-MOUNTED UNITS MUST BE ACCOMPLISHED BY QUALIFIED PERSONNEL IN STRICT ACCORD WITH APPLICABLE NATIONAL AND LOCAL BUILDING AND ELECTRICAL CODES.
2. DO NOT place TOWEL WARMER units inside a shower, sauna or steam room enclosure or any other wet location or with elevated temperatures.
3. CAUTION is advised when Towel Warmer is accessible to children.
4. For the ultimate ease in use, a dedicated wall switch or timer can be used to control the TOWEL WARMER unit. Contact Mr.Steam for an in-wall 24-hour-7 day timer (PN W-103588) Note: All switches and control devices must be installed on the load (black) side of the Towel Warmer circuit in compliance with the National Electric Code and Local Codes. (see page 11 for installation instructions)

**IMPORTANT:** The finish of your Towel Warmer can be protected and maintained by an occasional wiping with a soft, non-abrasive, damp cloth and lightly polished, thereafter, with a soft dry cloth when the Towel Warmer is cold. Under no circumstances should abrasive cleaning powders, metal polish or chlorine-based cleaners be used on any part of this product.

**IMPORTANT:** This appliance is intended for towels washed in water. Fabrics that contain soap or detergent residue may show what appears to be scorch marks. However this is simply the discoloration of the residue. The Towel Warmer unit does not reach sufficient temperature to scorch fabric. We are not responsible for discoloring or damage of any fabrics.

INSTALLER:

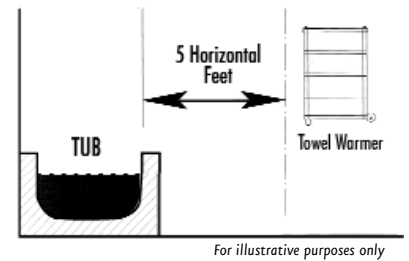
READ THIS ENTIRE INSTRUCTION MANUAL THOROUGHLY BEFORE BEGINNING INSTALLATION. LEAVE THESE INSTRUCTIONS WITH HOMEOWNER.

**! WARNING** BE CERTAIN ELECTRICITY IS SHUT OFF AT MAIN PANEL BEFORE WIRING OR SERVICING YOUR TOWEL WARMER. Follow instructions to make certain your Towel Warmer is properly attached to the wall. FAILURE TO FOLLOW THESE STEPS COULD RESULT IN HAZARDOUS CONDITIONS.

**! WARNING** To avoid possible fire hazard, the Towel Warmer must remain in its intended position. MOUNT THIS UNIT ONLY AS SHOWN IN THESE INSTRUCTIONS.

**! CAUTION**

1. Install in accordance with National and local codes.
2. Do not locate in shower stall or near shower spray.
3. Do not locate closer than 5 ft. horizontally from the inside wall of swimming pool, hot tub, spa, shower enclosure, hydromassage or bathtub.
4. All models are to be protected by dedicated and suitably rated GFCI circuit breaker or equal.



TO ENSURE CORRECT OPERATION OF YOUR TOWEL WARMER, PLEASE FOLLOW ALL THE INSTRUCTIONS CAREFULLY, OBSERVING THE "CAUTION" NOTATIONS FOR EACH STEP.

Inspect Towel Warmer

Unpack the Towel Warmer carefully to avoid any damage or loss of any part. When opening the box be sure that the parts are not accidentally discarded. Towel Warmers are shipped in specially designed shipping cartons. The entire surface of the Towel Warmer is hand-wrapped to protect the finish. It is your responsibility to immediately inspect for any damage.

TOWEL WARMER SPECIFICATIONS

Model No.	Dimensions (inches) W x H x D	Amps	Volts/Phase	Weight (lbs.)
W500	22.5 x 25 x 5	0.83	120/1	20
W510	20.5 x 18.5 x 5	0.58	120/1	20
W542	23.75 x 26 x 5.25	0.83	120/1	25
W552	23.5 x 25.25 x 13	1.67	120/1	40
W554	23.75 x 21.5 x 13	1.67	120/1	30
W556	21.75 x 34 x 10	1.67	120/1	25
W562	23.5 x 23.25 x 5.25	1.67	120/1	30
W572	23.75 x 36 x 5.25	1.67	120/1	30
W634	19.5 x 27.5 x 7.25	1.67	120/1	25
W842	23 x 24.5 x 4.75	1.25	120/1	25
W856	21.5 x 31 x 9.875	1.67	120/1	30

Installation and Operating Instructions

WALL PREPARATION

**CAUTION**

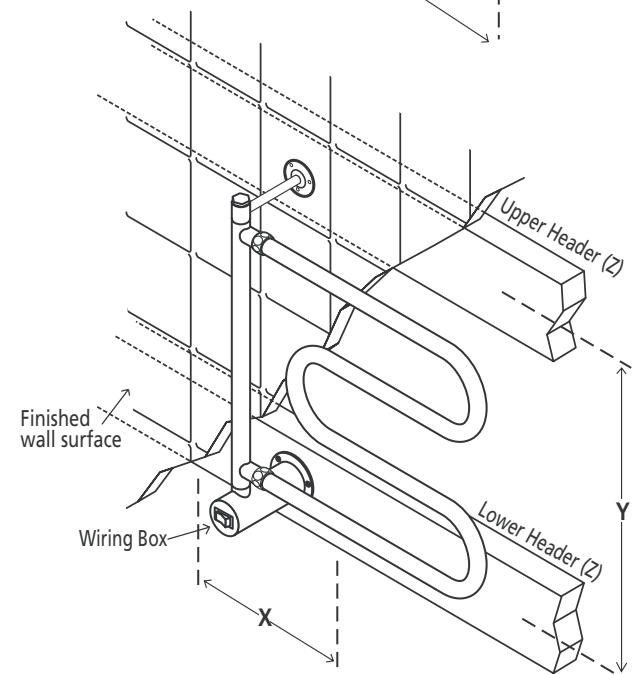
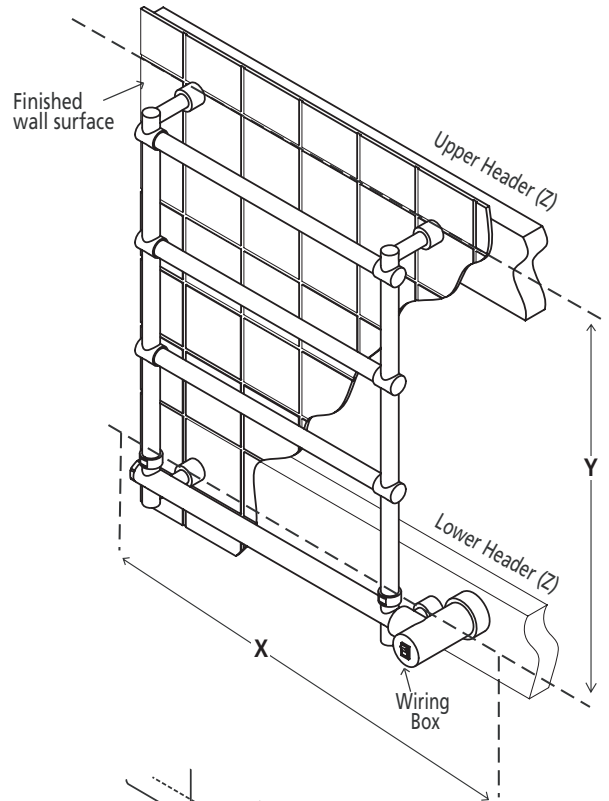
- DO NOT mount the Towel Warmer without providing structurally secure headers as shown.
- DO NOT mount the Towel Warmer directly to sheet rock or any other non-structural surface.
- Use longer fasteners as required if the finished wall surface prevents adequate mounting with the screws provided.
- Provide a clearance hole in the lower header as required to route field wiring to the Towel Warmer wiring box.

**WARNING**

If a single gang electric box has been roughed-in, install cover plate PN103877. See part numbers below for decorative finish information. DO NOT install the Towel Warmer without these instructions.

**Cover Plate Part Numbers & Decorative Finishes:**

Polished Chrome	103877PC
Polished Brass	103877PB
Polished Nickel	103877PN
Pewter	103877P
Satin Nickel	103877SN
Polished Gold	103877PG
Satin Gold	103877SG
Antique Brass	103877AB
Oil Rubbed Bronze	103877ORB



MOUNTING DIMENSIONS (inches)			
MODEL	X(min) (Header horizontal length)	Y (Header vertical length)	Z (min) (Header size)
W 500	5	22 5/8	2 x 6
W 510	5	16 1/8	2 x 6
W 542	23 1/4	24 3/4	2 x 6
W 552	23 1/4	23 3/4	2 x 6
W 554	23 1/4	20 5/16	2 x 6
W 562	23 1/4	22 3/4	2 x 6
W 572	23 1/4	24 3/4	2 x 6
W 634	19	30 13/16	2 x 6
W 842	23	23 1/4	2 x 6

**IMPORTANT NOTE:** Towel Warmers may have small dimensional variations and must be measured prior to installation.

For Technical Service Assistance:  
 East Coast Tel: 1-800-767-8326  
 West Coast Tel: 1-800-727-8326

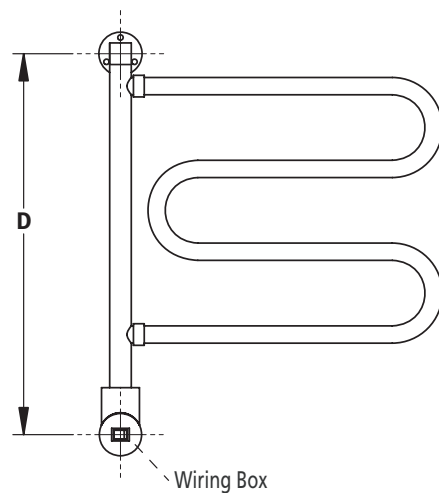
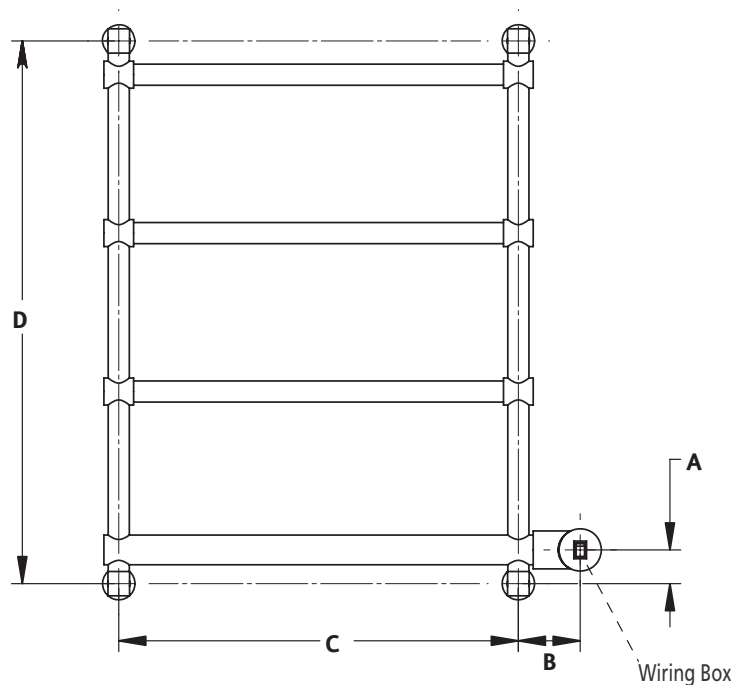
Installation and Operating Instructions

MOUNTING DIMENSIONS (inches)				
MODEL	A	B	C	D
W 500	~	~	~	22 <sup>5</sup> / <sub>8</sub>
W 510	~	~	~	16 <sup>1</sup> / <sub>8</sub>
W 542	1 <sup>1</sup> / <sub>8</sub>	2 <sup>3</sup> / <sub>4</sub>	18 <sup>1</sup> / <sub>2</sub>	24 <sup>3</sup> / <sub>4</sub>
W 552	1 <sup>1</sup> / <sub>8</sub>	2 <sup>3</sup> / <sub>4</sub>	18 <sup>1</sup> / <sub>2</sub>	23 <sup>3</sup> / <sub>4</sub>
W 554	1 <sup>1</sup> / <sub>8</sub>	2 <sup>3</sup> / <sub>4</sub>	18 <sup>1</sup> / <sub>2</sub>	20 <sup>5</sup> / <sub>16</sub>
W 562	1 <sup>1</sup> / <sub>8</sub>	2 <sup>3</sup> / <sub>4</sub>	18 <sup>1</sup> / <sub>2</sub>	22 <sup>3</sup> / <sub>4</sub>
W 572	1 <sup>1</sup> / <sub>8</sub>	2 <sup>3</sup> / <sub>4</sub>	18 <sup>1</sup> / <sub>2</sub>	24 <sup>3</sup> / <sub>4</sub>
W 634	1 <sup>1</sup> / <sub>8</sub>	2 <sup>3</sup> / <sub>4</sub>	14 <sup>3</sup> / <sub>16</sub>	30 <sup>13</sup> / <sub>16</sub>
W 842	1 <sup>1</sup> / <sub>8</sub>	2 <sup>1</sup> / <sub>4</sub>	18 <sup>1</sup> / <sub>2</sub>	23 <sup>1</sup> / <sub>4</sub>

**! WARNING**

Install Towel Warmers in upright position only. Locate with switch on bottom as shown. Failure to install properly may result in overheating and a hazardous condition.

**IMPORTANT NOTE:** Towel Warmers may have small dimensional variations and must be measured prior to installation.



Installation and Operating Instructions

MODELS W542, W552, W554,  
W562, W572, W634

BOX CONTENTS:

- Towel Warmer
- (3) Small Screws
- (4) Bracket Escutcheons
- (1) Wire Box Escutcheon
- (4) Large Screw
- (4) Bracket Set Screws
- (1) Wiring Box Set Screw
- (4) Brass Inserts
- (1) Wire Box Flange
- (1) Allen Key
- Warranty
- Instruction & Operation Manual

1. Remove Towel Warmer and parts from the packing materials.
2. Rotate the two upper and two lower brackets into position as shown.

**IMPORTANT:** DO NOT LOOSEN SCREWS TO SWIVEL BRACKETS. LOOSENING SCREWS WILL CAUSE INTERNAL LIQUID TO ESCAPE AND CAUSE PRODUCT DAMAGE.

3. Using the allen key provided, loosen the wiring box set screw. DO NOT remove the wiring box.
4. Rotate the wiring box as shown. Tighten the set screw firmly to prevent the wiring box from rotating.

**NOTE:** The wiring box and brackets on models W542, and W562 can be rotated in either direction to result in a right or left handed wiring box.

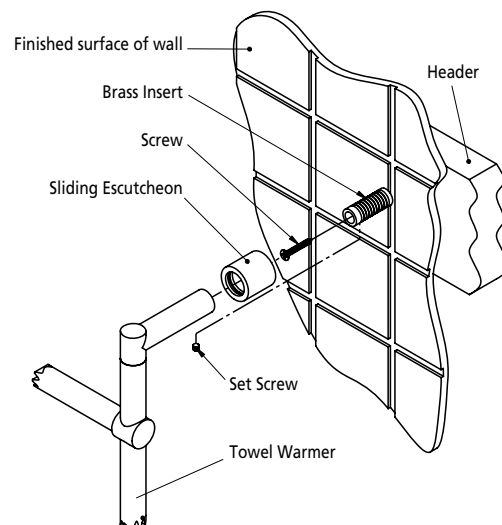
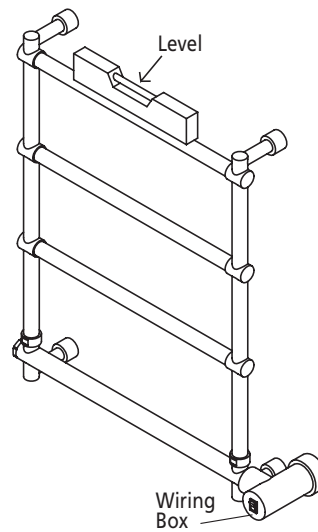
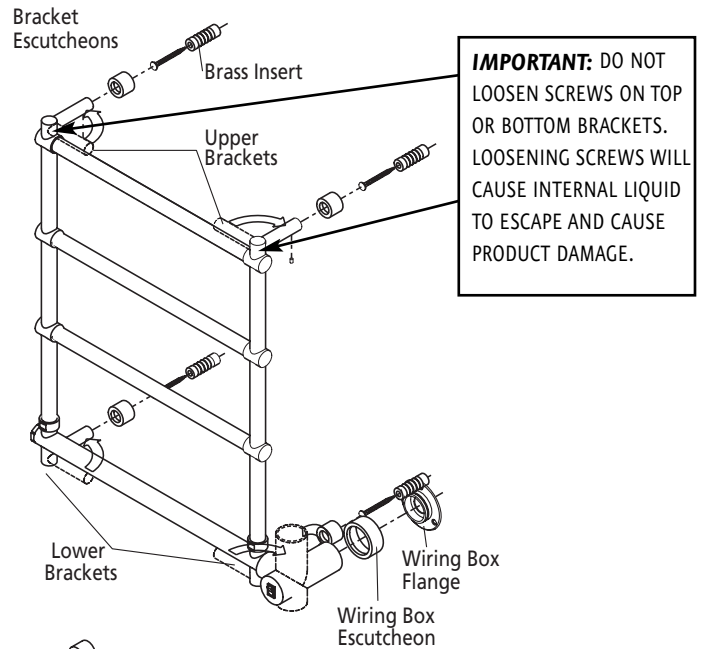
5. Using the dimensions from page 4 mark the location where the brass inserts will be mounted to hang the towel warmer. Before securing the towel warmer to the wall check to ensure the mounting points are level.
6. Using the screws provided secure the brass inserts to the wall.
7. Gently slide the towel warmer onto the brass inserts as shown and mark the location for the wiring flange.
8. Remove the towel warmer and secure the flange to the wall per the instructions on page 10.
9. Before securing the towel warmer to the wall put an escutcheon on each of the 4 brackets. The open end of the escutcheon should face the wall as shown.
10. Secure the towel warmer to the brass inserts using the set screws provided. When the towel warmer is secured to the wall slide the escutcheons against the wall to hide the mounting point.

**! WARNING**

If a single gang electric box has been roughed in See page 3 for instructions.

**! WARNING**

Install Towel Warmers in upright position only. Locate with switch on bottom as shown. Failure to install properly may result in a hazardous condition.



Installation and Operating Instructions

MODEL W842

BOX CONTENTS:

- Towel Warmer
- (3) Small Screws
- (4) Large Screw
- (4) Bracket Set Screws
- (4) Bracket Set Screws
- (1) Wiring Box Set Screw
- (4) Brass Inserts
- (1) Wire Box Flange
- (1) Allen Key
- Warranty
- Instruction & Operation Manual

1. Remove Towel Warmer and parts from the packing materials.
2. Rotate the two upper and two lower brackets into position as shown.

**IMPORTANT:** DO NOT LOOSEN SCREWS TO SWIVEL BRACKETS. LOOSENING SCREWS WILL CAUSE INTERNAL LIQUID TO ESCAPE AND CAUSE PRODUCT DAMAGE.

3. Using the allen key provided, loosen the wiring box set screw.
4. Rotate the wiring box as shown. Tighten the set screw firmly to prevent the wiring box from backing off.

**NOTE:** The wiring box and brackets on model W842 can be rotated in either direction to result in a right or left handed wiring box.

5. Using the dimensions from page 4 mark the location where the brass inserts will be mounted to hang the towel warmer. Before securing the towel warmer to the wall check to ensure the mounting points are level.
6. Using the screws provided secure the brass inserts to the wall.
7. Gently slide the towel warmer onto the brass inserts as shown and mark the location for the wiring flange.
8. Remove the towel warmer and secure the flange to the wall per the instructions on page 10.
9. Secure the towel warmer to the brass inserts using the set screws provided.

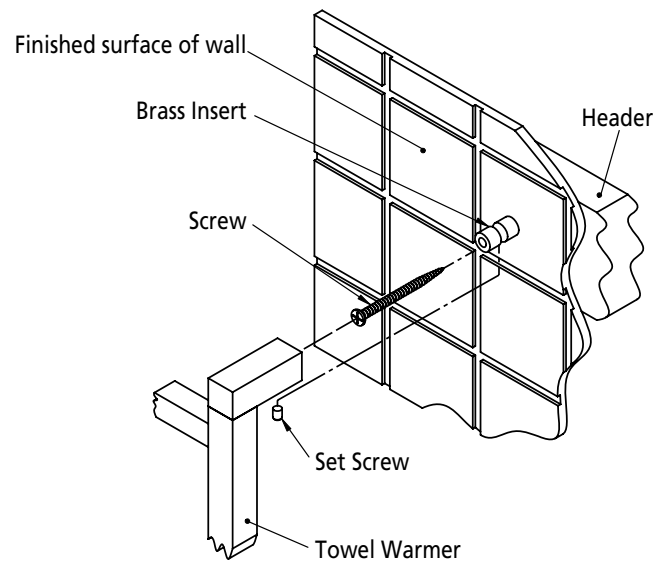
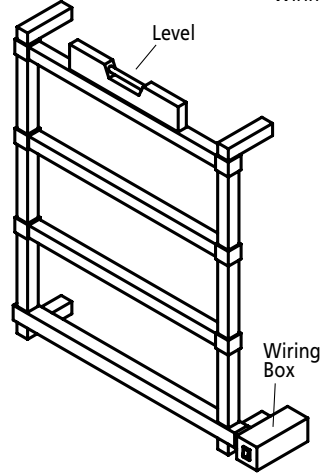
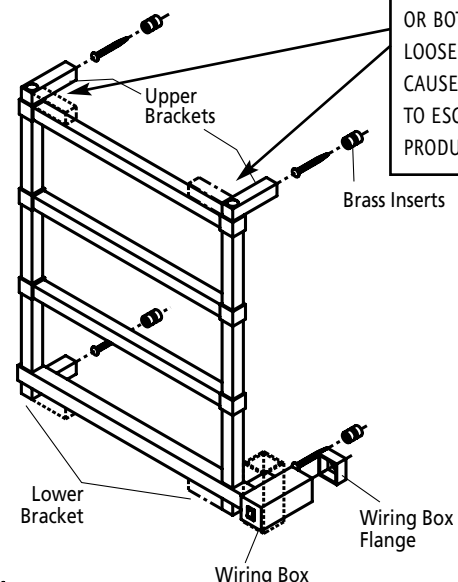
**! WARNING**

If a single gang electric box has been roughed in See page 3 for instructions.

**! WARNING**

Install Towel Warmers in upright position only. Locate with switch on bottom as shown. Failure to install properly may result in a hazardous condition.

**IMPORTANT:** DO NOT LOOSEN SCREWS ON TOP OR BOTTOM BRACKETS. LOOSENING SCREWS WILL CAUSE INTERNAL LIQUID TO ESCAPE AND CAUSE PRODUCT DAMAGE.



Installation and Operating Instructions

MODELS W500 & W510

**! WARNING** TO PREVENT SHOCK HAZARD, BE CERTAIN THAT ELECTRICITY IS TURNED OFF AT THE MAIN PANEL BEFORE ANY WIRING IS DONE.

**BOX CONTENTS:**

- Towel Warmer
- (6) Screws
- (1) Upper Threaded Flange
- (1) Lower Wiring Flange
- (1) Small Allen Key
- (1) Large Allen Key
- Instruction & Operation Manual
- Warranty

1. Remove the Towel Warmer and parts from the packing materials.
2. Rotate the upper bracket as shown.

**IMPORTANT:** DO NOT LOOSEN SCREWS TO SWIVEL BRACKETS. LOOSENING SCREWS WILL CAUSE INTERNAL LIQUID TO ESCAPE AND CAUSE PRODUCT DAMAGE.

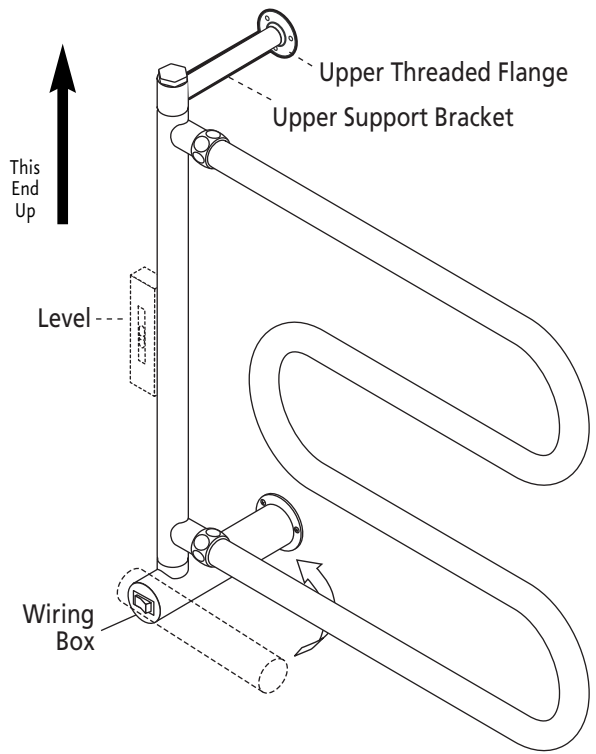
3. Spin on upper threaded flange as shown.
4. Using the smaller allen key provided, loosen the wiring box set screw. DO NOT remove the wiring box.
5. Rotate the wiring box as shown. Tighten the set screw firmly to prevent the wiring box from rotating.
6. Place the Towel Warmer in the desired location and mark the location of the upper threaded flange and wiring box. Use a level to insure proper alignment.

**NOTE:** the Towel Warmer swing range.

7. Mount the lower wiring box per instructions on page 10.

**! WARNING** If a single gang electric box has been roughed-in, then see page 3 for installation instructions.

**! WARNING** Install Towel Warmers in upright position only. Locate with switch on bottom as shown. Failure to install properly may result in overheating and a hazardous condition.



## Installation and Operating Instructions

### MODELS W556 & W856

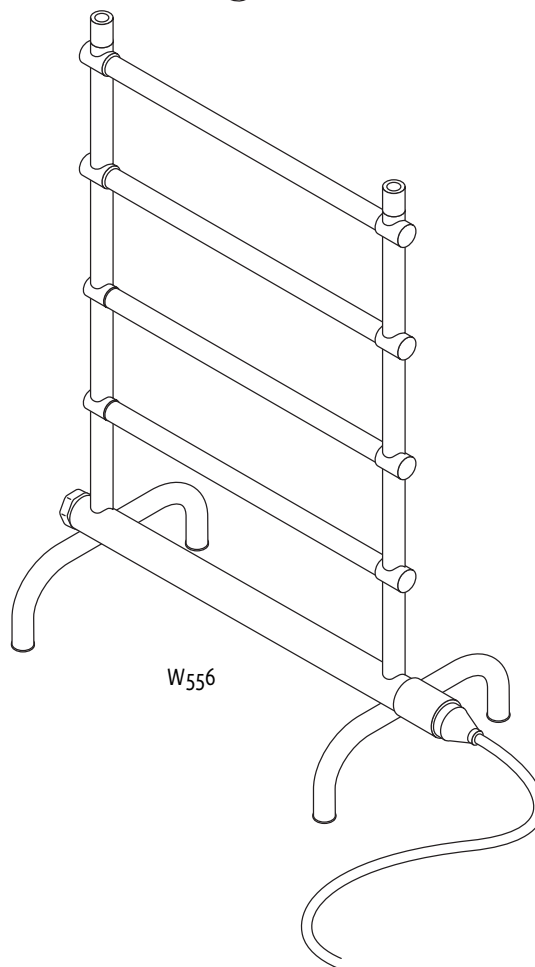
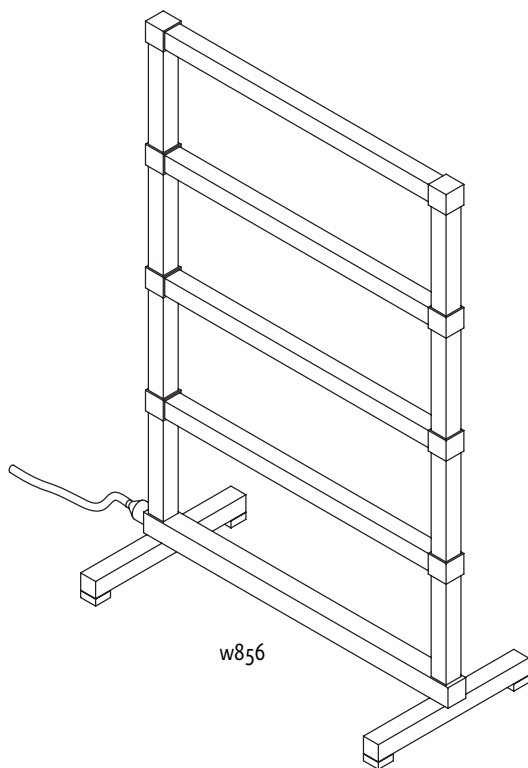
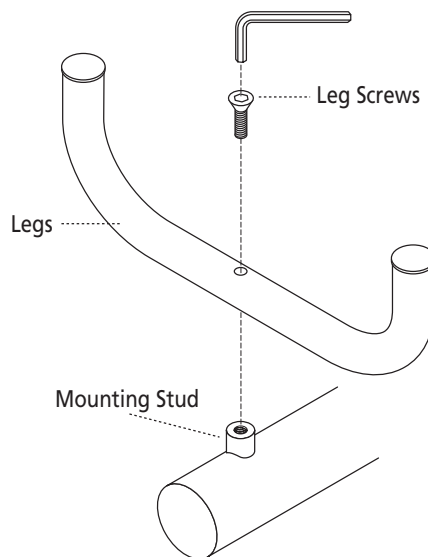
**IMPORTANT: HAND TIGHTEN ONLY!**

#### BOX CONTENTS:

- Towel Warmer with 7' Grounding Type Power Cord
- (2) Legs
- (2) Leg Screws
- (1) Large Allen Key
- Instruction & Operation Manual
- Warranty

1. With the unit unplugged, assemble the tubular legs to the bottom of the Towel Warmer as shown.
2. **HAND TIGHTEN ONLY!**

NOTE: Models W556 & W856 have no ON/OFF switch.



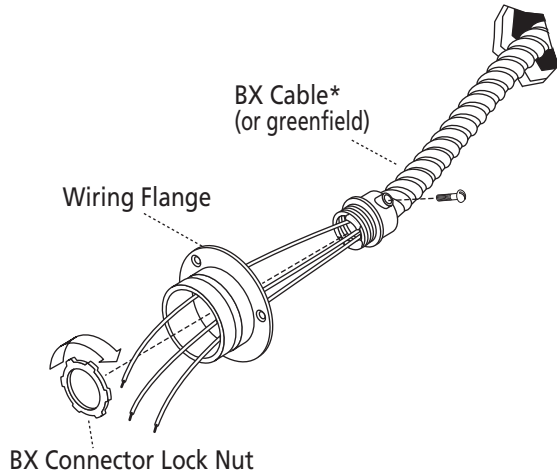
Installation and Operating Instructions

ELECTRICAL CONNECTIONS

Models W500, W510, W542, W552, W554, W562, W572, W634, W842

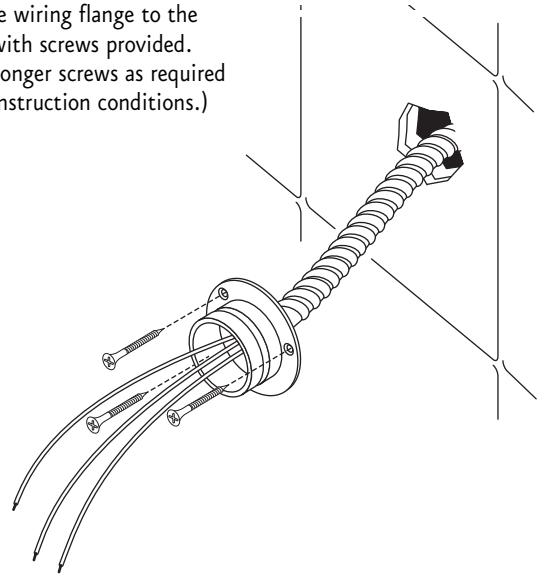
TO PREVENT SHOCK HAZARD, BE CERTAIN THAT ELECTRICITY IS TURNED OFF AT THE MAIN PANEL BEFORE ANY WIRING IS DONE.

1. Assemble the BX cable connector to the wiring flange as shown.

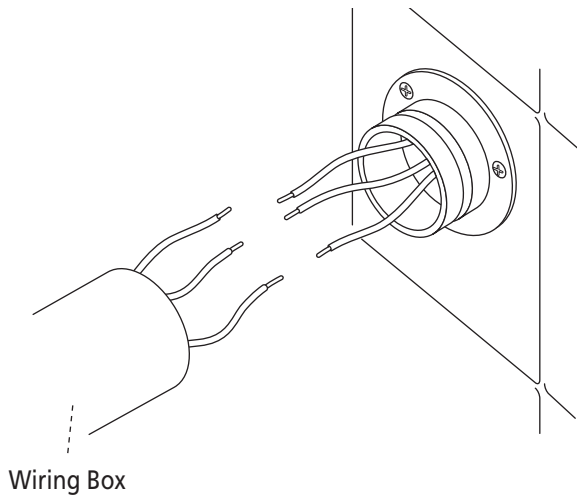


**NOTE:** NM (non-metallic) cable, if permitted by National and Local Codes may be used instead of BX cable

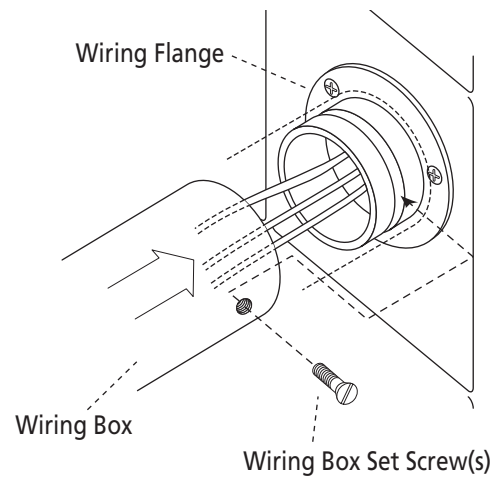
2. Secure wiring flange to the wall with screws provided. (Use longer screws as required by construction conditions.)



3. Connect wiring per instructions page 11.



4. Slide the wiring box onto the wiring flange and tighten the set screw firmly. Secure the upper threaded flanges and lower bracket with screws provided.



**NOTE:** The Towel Warmer wires are color coded: BLACK for LINE, WHITE for NEUTRAL, GREEN/YELLOW for EQUIPMENT GROUND.

**! WARNING** If a single gang electric box has been roughed-in, see page 3 for instructions

**! WARNING** Install Towel Warmers in upright position only. Locate with switch on bottom as shown. Failure to install properly may result in overheating and a hazardous condition.

Installation and Operating Instructions

ELECTRICAL SPECIFICATIONS

Field Wired Models: W500, W510, W542, W552, W554, W562, W572, W634, W842

Plug-in Models: W556, W856

ELECTRICAL CONNECTIONS

**WARNING** TO PREVENT SHOCK HAZARD, BE CERTAIN THAT ELECTRICITY IS TURNED OFF AT THE MAIN PANEL BEFORE ANY WIRING IS DONE.

All wiring must conform to National Electrical and Local Codes.

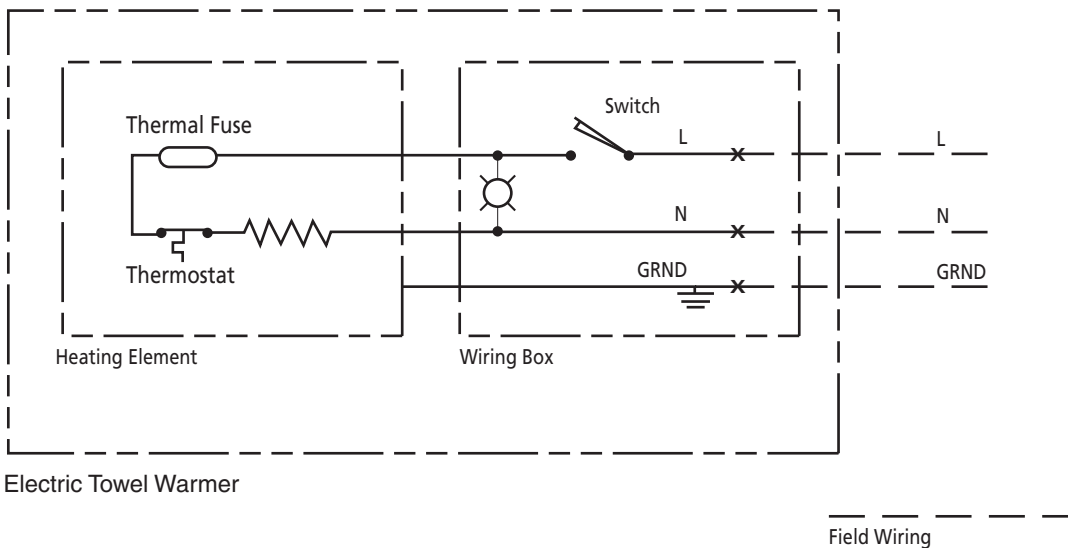
**GENERAL:**

The Towel Warmer requires 120VAC, 60 Hz power supply.

Specific amperage needed is listed in the Towel Warmer Specifications Chart on page 2.

- A. Electrical connections should be made as prescribed by the National Electric and Local Codes, except for Model W556. The unit should be field wired using 14 AWG min 90°C-rated copper wire. All models are to be protected by a separate 15 amp circuit breaker or equal.
- B. Make connections between Towel Warmer and house wiring using approved connections to comply with National Electrical Local Codes. LINE (black), NEUTRAL (white), and GROUND.
- C. Install the Towel Warmer according to the specific instructions for each model.

**WARNING** TO PREVENT SHOCK HAZARD, NO BARE WIRE OR WIRE STRANDS SHOULD BE VISIBLE AFTER MAKING CONNECTIONS.



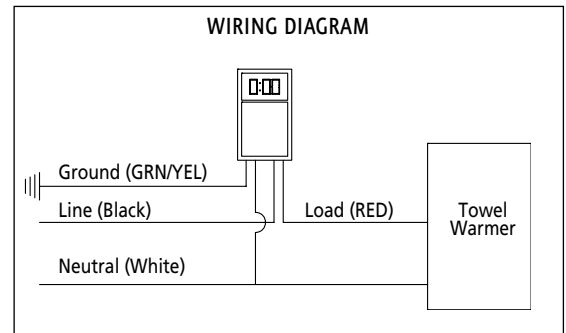
Installation and Operating Instructions

OPTIONAL PROGRAMMABLE TIMER

Installation: To The Installer

**WARNING**

1. Read the operating instructions provided with the timer.
2. Disconnect power supply prior to installation to prevent electrical shock.
3. Damage to the contacts caused by short circuiting will void the warranty.
4. Wire in accordance with National Electrical and Local Code requirements. Be sure all connections are secure. Double check all twist-on wire connectors.
5. Mount timer into wall box using supplied screws.
6. If timer does not operate, check that the timer's black wire is connected to hot line and not the load. If necessary, reverse connections to red and black wires



MANUAL OPERATION

The slide switch provides manual operation of the load, overriding the timer, Set to the "OFF" position, the load will be continuously off, and if set to "ON", it will be continuously on. For automatic timed ON's and OFF's, the switch must be in the "AUTO" position.

PROGRAMMING

**Power-Up Sequence:**

1. Lift up the bottom of the door using a small slotted screwdriver.
2. Position the slide switch to TIMER.
3. Press the "RESET" button using a paper clip.
4. The display should flash 12:00AM on Monday.

**In the event that the screen is blank, check the following:**

1. The OFF/TIMER switch located at the bottom may be in the OFF position. Slide it to the TIMER position using a small screwdriver.
2. Check the 120VAC power source.

**Setting Current Time:**

1. Press and HOLD the "CLOCK" key during this entire procedure.
2. Press the "HOUR" key to advance the hours.
3. Press the "MIN" key to advance the minutes.
4. Press the "DAY" key to advance the day.
5. If any keys are pressed for a prolonged period, the display will advance rapidly.
6. Release the "CLOCK" key once the time and day have been entered. Now the timer is in operation and ready to be programmed. The colon ":" after the hours will continuously flash indicating that the time is advancing.

**Programming:**

1. Press the "PROG" key once. TIMER 1 ON —:—:— appears.
2. Using the "HOUR" and "MIN" keys enter the desired ON time. By default all days are indicated. When complete press the PROG key once.
3. Timer OFF —:—:— will be displayed. Using the "HOUR" and "MIN" keys enter the desired OFF time. By default all days are indicated. When complete press the PROG key once.
5. Note that a total of 7-ON and 7-OFF events can be programmed.

**Block Programming:**

1. When programming ON/OFF events, all days are indicated by default. To change the day selection simply keep pressing the Day key and the display will change as follows:
2. Individual Day (MON, TUE, etc.)
3. MON~FRI; SAT~SUN; MON~SAT; MON~SUN
4. MON-WED-FRI; TUE-THU-SAT
5. MON~WED; THU~SAT
6. Follow the steps above to complete programming.

**Reviewing Programs:**

1. To review the programs that have been entered simply press and release the PROG key. Each time you do this you will be able to scroll thru the programs.

2. Any program can be edited simply by pressing the HOUR, MIN, and DAY keys. Then press the PROG key in order to accept the changes.
3. When complete press the "CLOCK" key to return to current time and day.

**Deleting Programs:**

1. To delete a particular program simply press the PROG key until the desired program is displayed.
2. Then press the HOUR and MIN keys until —:— is displayed. Then press the PROG key in order to delete this particular program.
3. When complete press the "Clock" key to return to current time and day.

**Manual Override:**

Pressing the timer cover (when closed) will alternate the unit ON or OFF.

**Initial Startup:**

When you initially program the unit it may be necessary to press the manual override key as the unit will not look back to determine if it should be ON. For example if the current time is 2:00PM and you just programmed the unit to turn ON at 1:00PM, you will need to press the manual override key to turn it ON. Thereafter, the unit will resume normal operation (automatic). MEMORY BACKUP: The timer is equipped with a rechargeable Ni-Mh battery which will protect your programs during power failure for up to 30 days. No need to replace battery. Note that the screen blanks during a power failure.

**CAUTION**

Do not turn dial counter-clockwise, as the timer will be damaged.

OPTIONAL DECORATIVE FACEPLATE FOR TIMER:

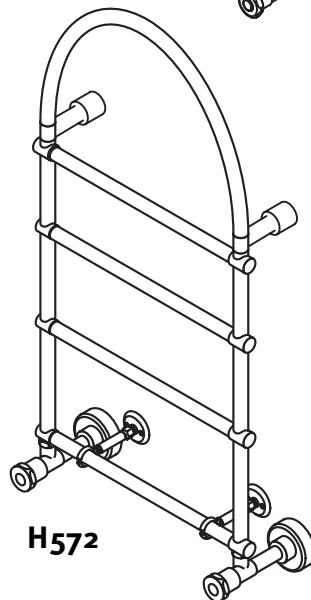
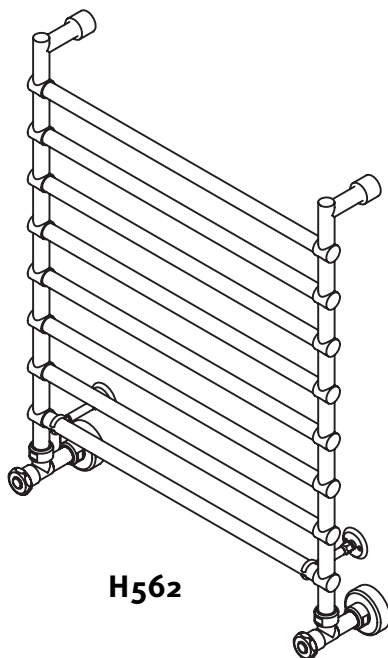
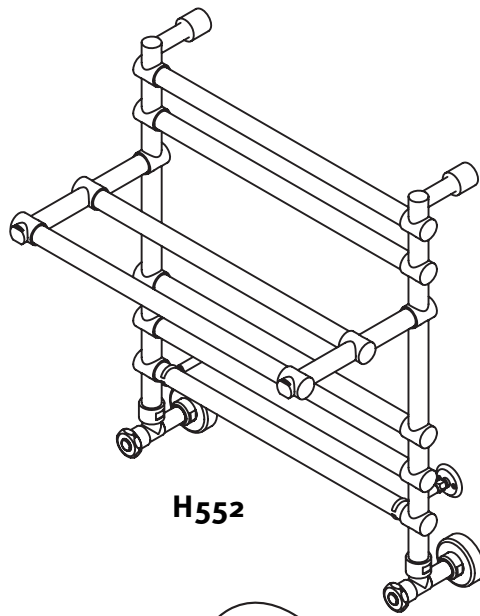
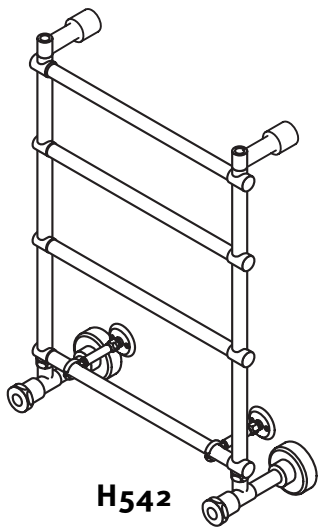
Polished Chrome	103872D-PC	Polished Nickel	103872D-PN	Polished Gold	103872D-PG	Pewter	103872D-P
Polished Brass	103872D-PB	Brushed Nickel	103872D-BN	Satin Gold	103872D-SG		
Antique Brass	103872D-AB	Satin Nickel	103872D-SN	Oil Rubbed Bronze	103872D-ORB		

# Hydronic Models

Models H542, H552, H562, H572

Model \_\_\_\_\_

Serial # \_\_\_\_\_



mr.steam® towelwarmers

Installation and Operating Instructions

**! WARNING** Suitable only for closed loop non-potable hot water systems. Tighten Towel Warmer unions only. Do not turn valves as leaking may result

**! WARNING** Do not use with water over 158 degrees F. (70° C) Do not use with steam. Using with steam or water over 158 degrees F or 20 psig, may result in scalding or hazardous conditions.

**! CAUTION**

1. Read this entire instruction manual thoroughly before beginning installation and save these instructions.
2. Follow instructions accurately to make certain the Towel Warmer is properly attached to the wall. FAILURE TO FOLLOW THESE STEPS COULD RESULT IN PROBLEMS.
3. Do not use an abrasive cleaner on the Towel Warmer. A mild detergent will clean and restore most units to their original beauty.
4. TO ENSURE FULL EFFICIENCY OF YOUR TOWEL WARMER, PLEASE FOLLOW ALL THE INSTRUCTIONS CAREFULLY, OBSERVING THE "CAUTION" NOTATIONS FOR EACH STEP.
5. Inlet water temperature should be between 120°F and 158°F. DO NOT exceed this limit. A burn hazard may result.

**GENERAL:**

Most Towel Warmers provide enough heat to warm towels and provide supplemental heat to the room. Larger units may be sufficient to serve as the sole heat source for a small bathroom.

**STEP 1: PRE-INSTALLATION**

**A.** Select Installation Site: Make certain there is ample clearance on both sides and back of the Towel Warmer.

**NOTE:** This unit is supplied with the proper hardware for installation. Be sure wall construction is appropriate for hanging (see Step 3A).

**B.** Before beginning the installation of any Mr.Steam Hydronic Towel Warmer, please note the following:

1. Maximum operating temperature should not exceed 158°F. Any working water temperature higher than 158°F could create a potential burn hazard.

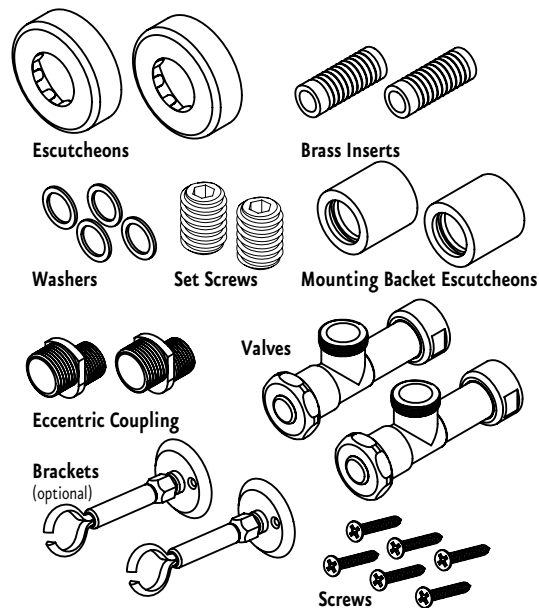
**NOTE:** A closed loop non-potable hot water system is recommended. Consult an authorized hot water system installer for hot water system types.

**STEP 2: INSPECT THE TOWEL WARMER**

**A.** Unpack the Mr.Steam Towel Warmer carefully to avoid any damage or loss of any part. When opening the box and unwrapping the Towel Warmer, be sure that parts are not accidentally discarded (see illustration, fig 1).

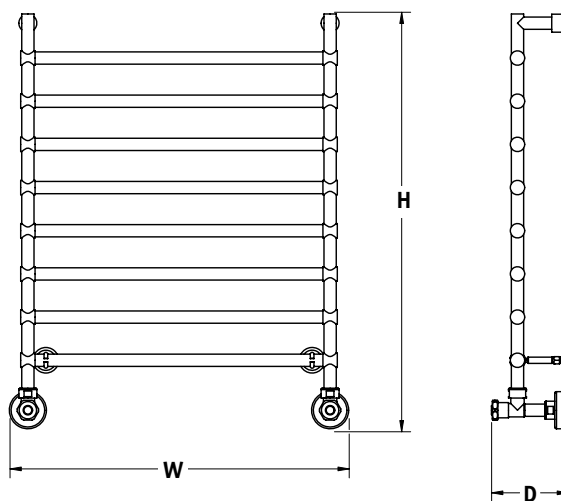
**B.** Mr.Steam Hydronic Towel Warmers are shipped in specially designed shipping cartons. The entire surface of the Towel Warmer is hand-wrapped to protect the finish. Check the for any sign of damage.

**Fig. 1 Towel Warmer Installation Parts**



HOT WATER TOWEL WARMERS					
Model	Dimensions (inches)			BTU/hr†	Weight (lbs.)*
	H	W	D		
H542	29 <sup>7</sup> / <sub>16</sub>	21	5	500	20
H552	25 <sup>13</sup> / <sub>16</sub>	21	13	800	30
H562	24 <sup>1</sup> / <sub>16</sub>	21	5	900	30
H572	38 <sup>1</sup> / <sub>2</sub>	21	5	650	20

†At 158° F \*without water



Installation and Operating Instructions

**WALL PREPARATION**

**CAUTION**

- DO NOT mount the Towel Warmer without providing structurally secure headers as shown.
- DO NOT mount the Towel Warmer directly to sheet rock or any other non-structural surface.
- Use longer fasteners as required if the finished wall surface prevents adequate mounting with the screws provided.
- The recommended location for the optional lower brackets is on the bottom most rung of the Towel Warmer as shown.

MOUNTING DIMENSIONS (inches)*		
MODEL	Y1	Y2
H 542	26 7/16	22 7/16
H 552	22 13/16	18 13/16
H 562	21 1/16	17 1/16
H 572	26 7/16	22 7/16

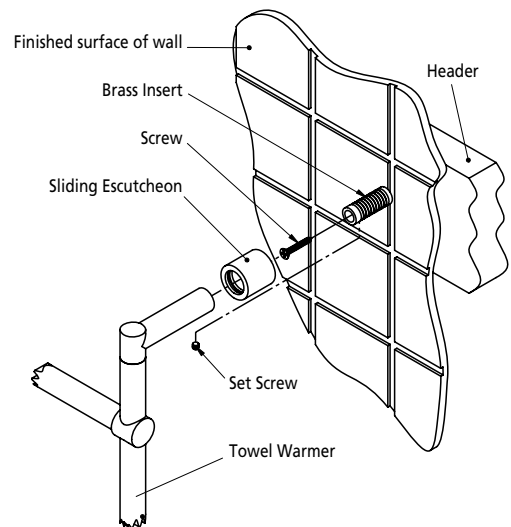
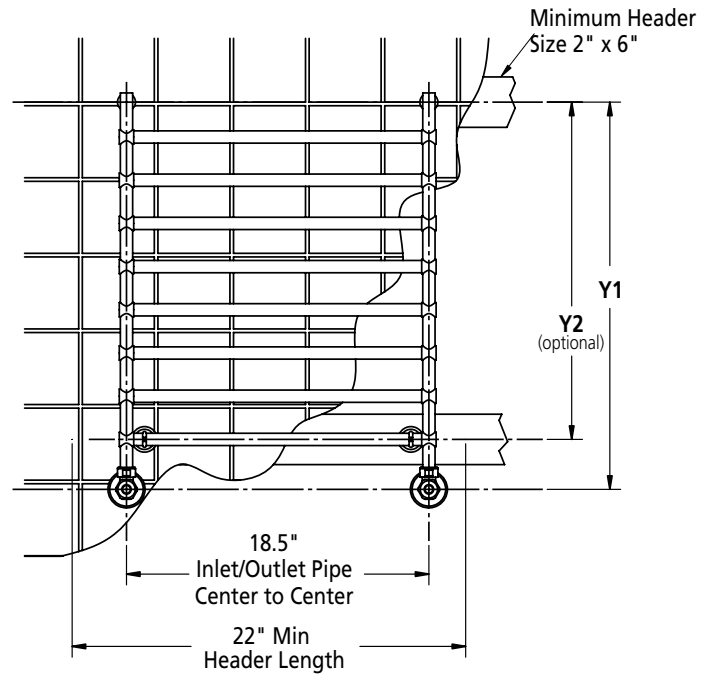
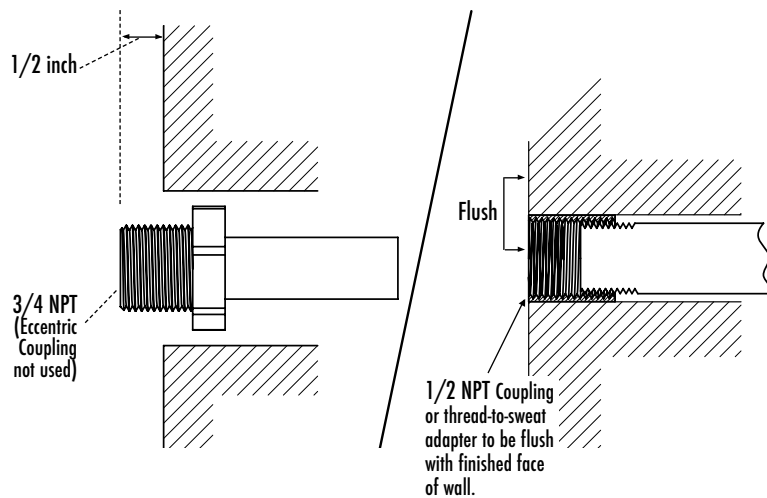
\*Inlet/outlet pipe to be 18 1/2" apart for all models

**IMPORTANT NOTE:** Towel Warmers may have small dimensional variations and must be measured prior to installation.

For Technical Service Assistance:  
 East Coast Tel: 1-800-767-8326  
 West Coast Tel: 1-800-727-8326

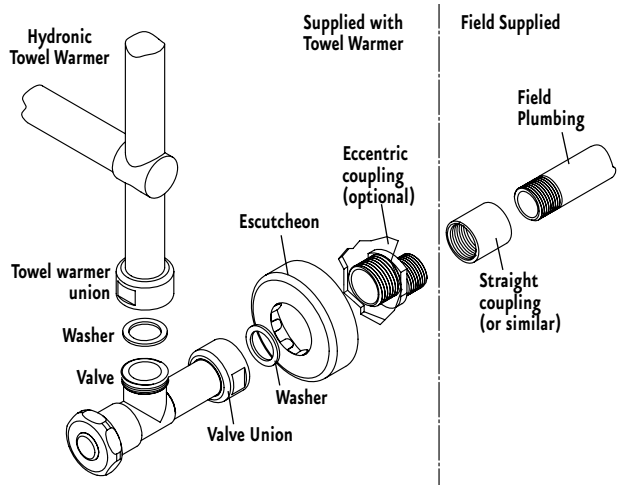
**PLUMBING PREPARATION**

- If the eccentric coupling is used, a female 1/2 NPT coupling or thread-to-sweat adapter should be flush with the finished face of the wall.
- If the eccentric coupling is not used a male 3/4 NPT pipe, coupling or thread to sweat adapter shall be 1/2 an inch beyond the finished face of the wall.

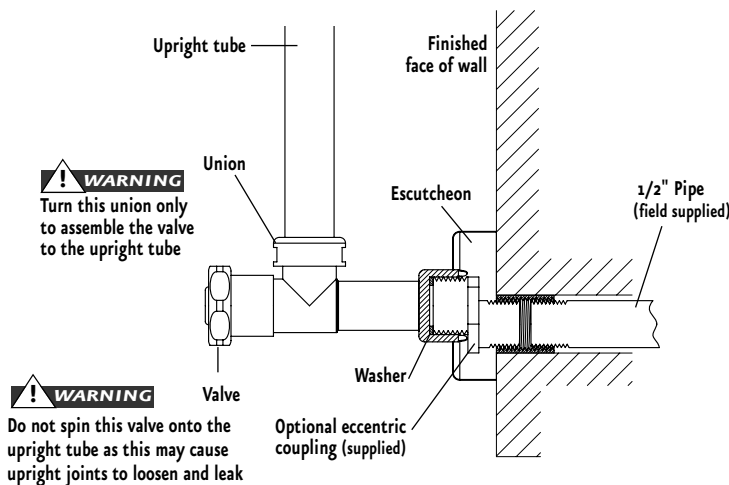


Installation and Operating Instructions

HYDRONIC HOOK-UP



VALVE INSTALLATION



STEP 3: INSTALLATION

A. Mounting:

1. The Mr.Steam Towel Warmer has been designed with integral mounting brackets. These will facilitate a permanent and secure mounting of the Towel Warmer to the wall using the screws provided.

2. Locate the brass inserts according to the following chart: (All inlet/outlet pipes are 18 1/2" apart.)

Model	Vertical Distance from Inlet/Outlet pipe centerline
H542	26 7/16"
H552	22 13/16"
H562	21 1/16"
H572	26 7/16"

3. Slide a bracket escutcheon (with the 'O' ring facing the towel warmer) on each of the mounting brackets.
4. Slide the towel warmer on the brass inserts and tighten the set screws on both brackets. Slide the escutcheons against the wall to hide the joint.
5. The recommended location for optional lower brackets is on the bottom rung of the Towel Warmer, a sufficient header should be provided for these brackets.

B. Valve Installation:

1. Place a washer between the threaded portion of the valve and the Towel Warmer union. Carefully tighten the union to secure the valve to the Towel Warmer.
2. Slide the escutcheon onto the valve over the valve union.
3. After the plumbing has been prepared as described place a washer between the valve union and coupling. Carefully tighten the union to connect the valve to the plumbing.
4. Slide the escutcheon over the valve union to cover the inlet and outlet plumbing.

**IMPORTANT:** There are two valves which come with Mr.Steam Hydronic Towel Warmers. One valve should always be left open, the other valve can be opened or closed. These valves seal only in the fully open (turn valve handle counter clockwise) or full closed (turn valve handle clockwise) position. Using the valve to throttle the water flow will result in a leak at the valve stem.

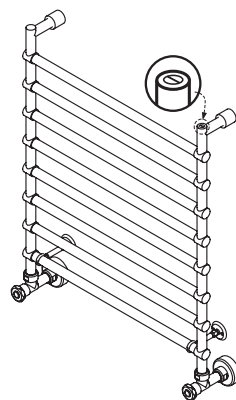
6. When all connections are complete, vent the unit using the bleed valve as shown.

**CAUTION** DO NOT TURN THE VALVE BODY, TURN THE UNION ONLY. TURNING THE VALVE MAY RESULT IN LEAKS

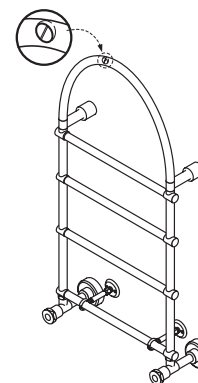
7. Check all connections for leaks.

**CAUTION** DO NOT open the bleed screw when the unit is pressurized as hot water may present a scalding hazard. (see Step 6 in installation)

Bleed screw location for models H542, H552, H562



Bleed screw location for model H572



**WARNING** Make sure the bleed screw is securely tightened and not leaking.

STEP 4: OPERATION & MAINTENANCE

**CLEANING:** The finish of your Mr.Steam Towel Warmer can be protected and maintained by an occasional wiping with a damp cloth and lightly polished thereafter with a soft dry cloth. Under no circumstances should abrasive cleaning powders or metal polish be used on any part of a chrome or gold plated Towel Warmer.

**mr.steam®**

Sussman-Automatic  
Corporation®  
info@mrsteam.com  
www.mrsteam.com

43-20 34th Street  
Long Island City, NY 11101  
TEL: 800 76 STEAM  
FAX: 718 472 3256

9410 S. La Cienega Blvd.  
Inglewood CA 90301  
TEL: 800 72 STEAM  
FAX: 310 216 2944

© 2006 Sussman-Automatic Corporation  
MR. STEAM and des., A LIFETIME OF PLEASURE, ALLEGRO, AROMAFLO, AUTOFLUSH, CLEAN STEAM...EVERY TIME,  
MRSAUNA, STEAM ON DEMAND, STEAM@HOME, SUSSMAN, SUSSMAN LIFESTYLE GROUP, TEMPO, TEMPO/PLUS,  
TEMPO/REMOTE, TEMPO/EXT and WARMATOWEL, are registered trademarks of Sussman-Automatic Corporation.  
AROMASTEAM, CHROMASTEAM, F1 PLUS, and SAUNA/ONE are trademarks of Sussman-Automatic Corporation.